

**VACUUM SEAL-OFF VALVES  
AND VALVE OPERATORS  
SV7 SERIES**

2 - 6 PSIG



**APPLICATIONS**

- High Vacuum Tanks
- High Vacuum Dewars
- Low Pressure Gas Systems
- Vacuum Insulated Cryogenic Piping Systems
- Cold Box Vacuum Systems

**TESTING**

**Testing:**

Seat Leakage ..... Mass spec. less than 1x10 scc GHe/sec (Exclusive of O-Ring Permeability) at Ambient Temp.



**FEATURES**

- Vacuum Tight Seal-Off
- Easy Access to Vacuum
- High Capacity Flow
- Low Profile



**TECHNICAL DATA**

Designed to ASME VIII D1, B16.34 & B31.3

**Operating Ranges:**

Temperature..... -20° F to +150° F  
-29° C to +66° C

Relief Pressure..... 2 to 6 PSIG

**Materials of Construction:**

Body..... 300 Series S/S or 6061 Aluminum  
Spring..... 300 Series S/S  
Retainer..... 300 Series S/S  
O-Ring..... Vitron®  
Cap..... Plastic PVC  
Poppet..... 300 Series Stainless Steel

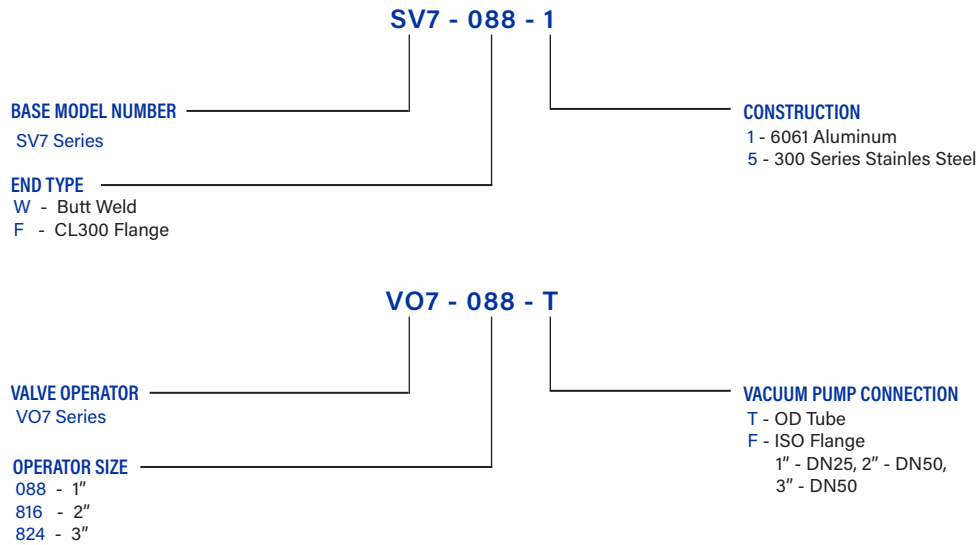
**Connection:**

Valve..... Butt Weld  
Operator..... ISO Flange or Tube

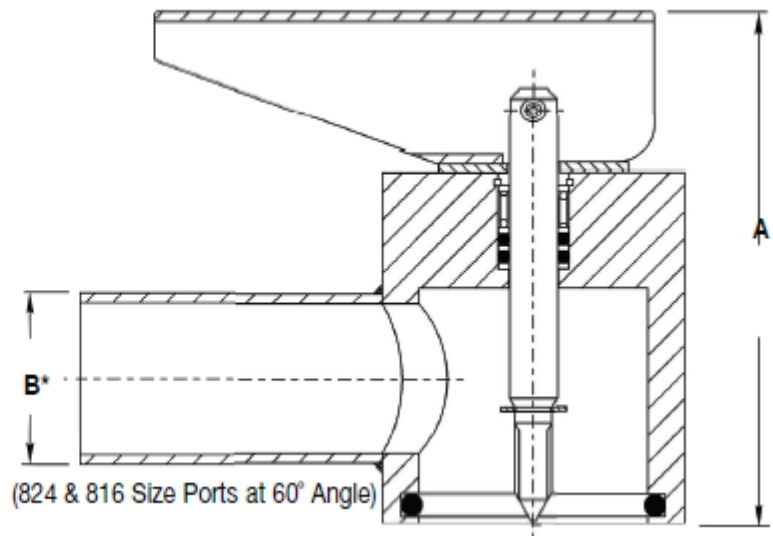
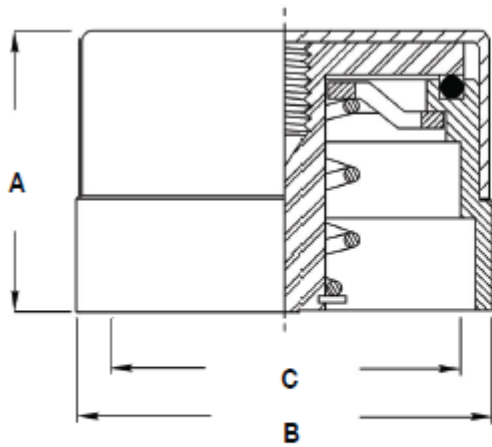
**Valve Sizes:**

1" to 3"

## ORDERING GUIDE



## DIMENSIONS



SV7 SERIES VALVES DIMENSIONS

Part No.	A	B	C
SV7-088-	1.13	1.63	1.13
SV7-816-	2.25	2.50	1.80
SV7-824-	3.12	3.12	2.75

VO7 SERIES OPERATORS STAINLESS STEEL DIMENSIONS

Part No.	A	B
VO7-088-	3.38	1.13
VO7-816-	5.00	2.25
VO7-824-	6.00	3.00