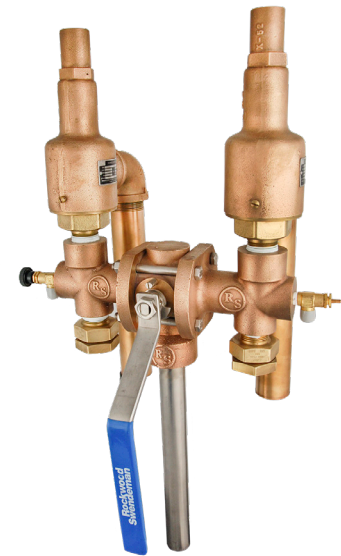


SAFETY RELIEF VALVE SUB-ASSEMBLY

CRYOTREE™

0 - 400 PSIG



APPLICATION

On stationary cryogenic storage tanks to isolate safety relief valve and rupture discs in the event they need to be serviced. Rockwood Swendeman's CryoTree™ assemblies are manufactured for use on stationary cryogenic storage tanks to isolate safety relief valves and rupture discs in the event they need to be serviced. Utilizing this system eliminates the need to shut down and evacuate the tank for service. This modular assembly provides for just a single connection to the internal tank piping.



APPLICABLE CODES

Designed and manufactured to meet:

- CGA S-1.2 and S-1.3
- ASME Sec.VIII
- API 527
- AD-Merkblatt A2
- ANSI B31.3, B16.34



FEATURES

- Duel safety relief systems engineered for maximum safety and reliability
- Easy system installation
- Includes high capacity safety relief valves, full flow diverting valve, rupture discs, bleed valves, and related piping assembled
- Standardized components
- Eliminates the need to shut down and evacuate the tank for service
- Minimizes pressure drop in system
- Medical level O² cleaning in conformance with CGA G-4.1
- Sealed in 6mil poly bags to eliminate contamination prior to installation
- Handle indicates flow direction



TECHNICAL DATA

Operating Ranges:

Temperature -423° F to +400° F
Set Pressure to 400 PSIG

Materials of Construction:

Body Bronze B61
End Plate Bronze B61
Ball Bronze
Stem 316SS

Sizes:

Available in 3/4" F to 1" F

Testing:

Hydrostatically tested as a complete unit to assure leak tightness.





DIMENSIONS & CHARACTERISTICS

HIGH FLOW DIVERTER VALVE VALUES*

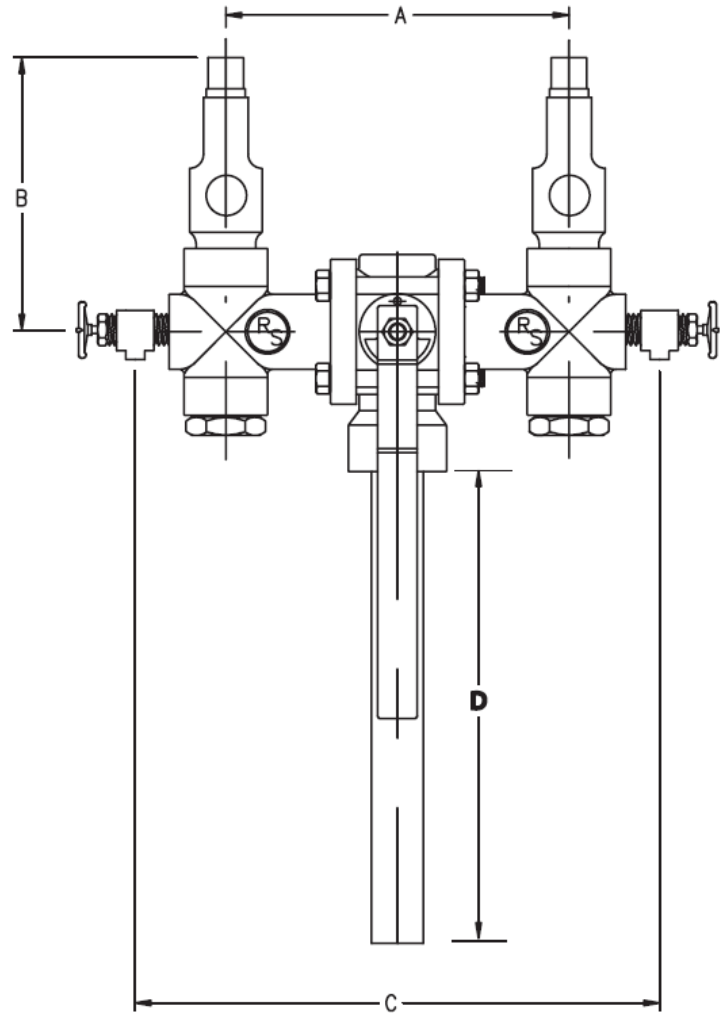
Size (inches)	Safety Relief Valve Outlet		Rupture Disc Outlet	
	CV@ mid position (90°)	CV@ full open (180°)	CV@ mid position (90°)	CV@ full open (180°)
3/4F	9.2	8.2	10.7	8.1
1F	25.3	18.3	16.4	14.0

Flows may vary slightly due to outlet connection sizes.

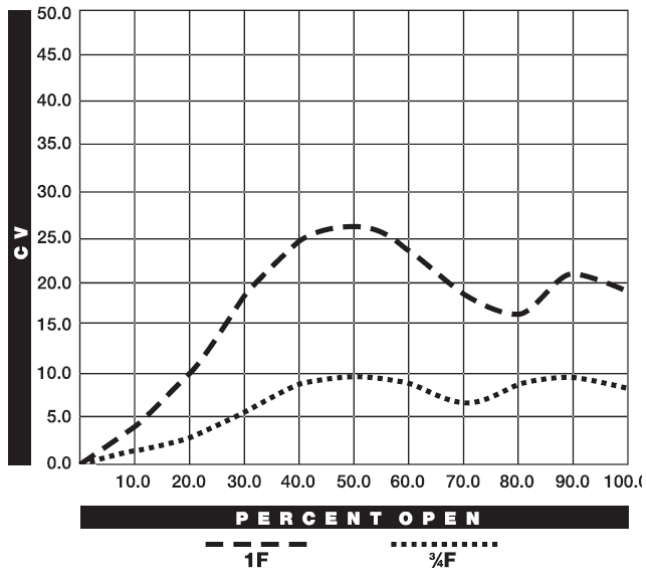
DIMENSION - INCHES

Size	A	B	C
3/4F	5.9	22.5	14.8
1F	8.7	25.7	16.5

Dimensions for reference only.

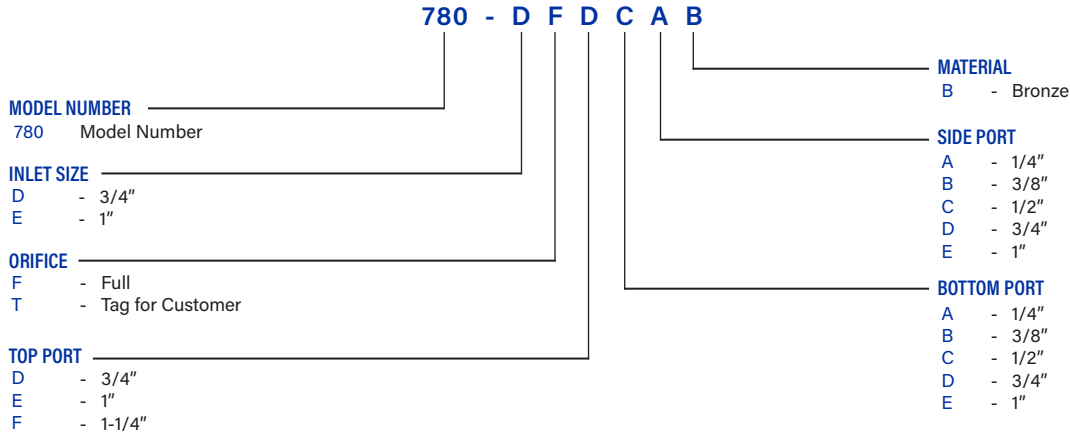


HIGH FLOW DIVERTER VALVE C_v GRAPH



ORDERING GUIDE

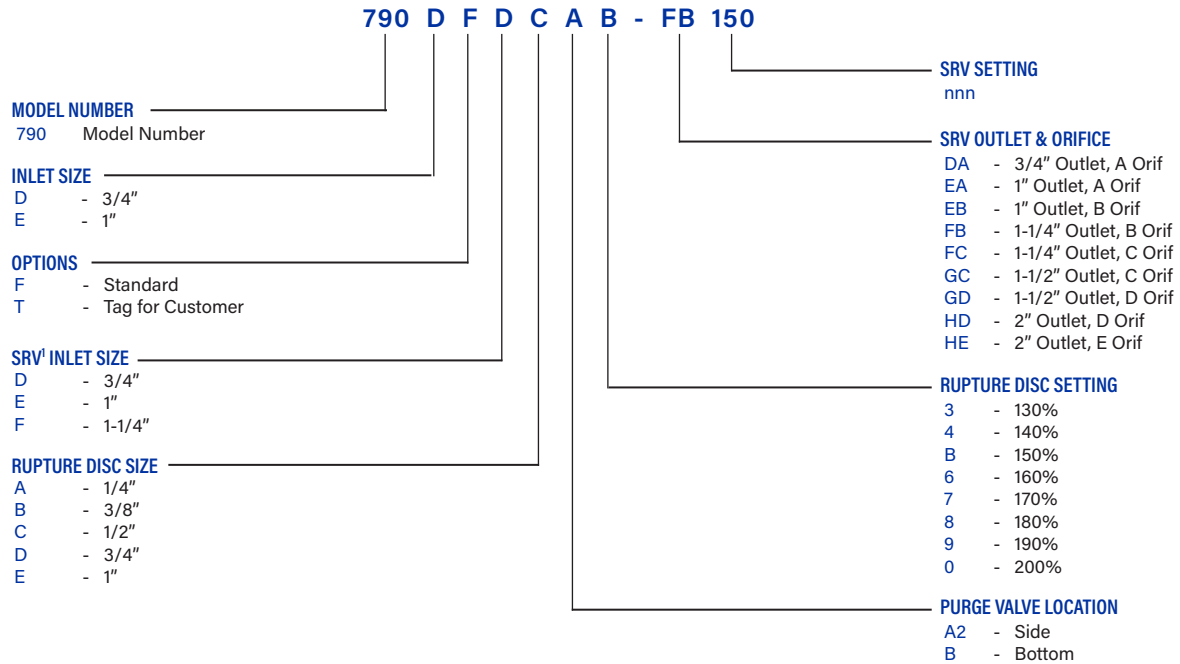
DIVERTER



EX: 3/4" Full with 3/4" Top, 1/2" Bottom and 1/4" Side Ports = 780DFDCAB

Diverter Size	Max NPT		
	Top	Side	Bottom
3/4"	5.9	22.5	14.8
1"	8.7	25.7	16.5

CRYOTREE™



EX: 3/4" Full with 3/4" B 1-1/4" SRV @ 150psi & 1/2" Rupture Disc @ 225psi = 790DFDCAB-FB150

Diverter Size	Max NPT		
	Top	Side	Bottom
3/4"	3/4"	3/4"	1/2"
1"	1-1/4"	1"	1"

1. Diverter Top Port
2. A is the standard
Cryotree only available with 1/4" side or bottom port
3. Rupture Disc setting over SRV set pressure
(example: 150psi X 150% = 225psi)
Actual settings to be in 5psi increments (preferred)
4. B is the standard