

**EXTENDED STEM CRYOGENIC SHUTOFF
VALVES MANUAL OR AUTOMATIC**

EC4 SERIES

0 - 400 PSIG



APPLICATIONS

- Cryogenic Storage Tanks
- Cryogenic Transportation Trailers
- Cryogenic Vacuum Piping and Point-of-Use Shutoff



FEATURES

- All Stainless Steel Construction
- Bubble Tight Shutoff
- Redundant Packing Seals
- Non-galling Stem Threads
- Self Centering Plug Seal
- Quality Investment Cast Body for High Flow Values
- Easy Inline Maintenance
- Socket Weld Ends

The EC4 is a new, upgraded version of the EC2 valve. Most parts are interchangeable with the body assembly. Consult factory for details regarding the union bonnet nut size variations for 1/4" to 1" size.

TESTING

Extrernal Leakage	Mass spec. to 1x10 ⁻⁹ scc GHe/sec
Seat Leakage	Bubble Tight to 400 PSIG
Proof Pressure	600 PSIG



TECHNICAL DATA

Designed to ASME VIII D1, B16.34 & B31.3

Operating Ranges:

Temperature..... -456° F to +300° F
-273° C to +149° C

Max. Operating Pressure 400 PSIG

Materials of Construction:

All Major Structural Components are 300 Series Stainless Steel.

Bonnet.....	Stainless Steel
Seat.....	Kel-F
Packing.....	Teflon® or Graphite
Redundant Seal.....	Vitron®
Gasket.....	Glass Filled Teflon®

Valve Sizes:

1/4" to 2" (Standard)
3" and 4" Available on request



ORDERING GUIDE

EC4 - 088 - C WPG 1 M - TW

BASE MODEL NUMBER

EC4 Series

VALVE SIZE

082 - 1/4"
 084 - 1/2"
 086 - 3/4"
 088 - 1"
 812 - 1-1/2"
 816 - 2"

CLEANING

O - Oxygen (per 216-2 specification)
 C - Standard

CONFIGURATION

WPG - Pipe Size, Globe
 WPR - Pipe Size, 90° Angle Pattern

SPECIAL ADD ON

TW - Complete Top Works Kit ONLY:
 SG - Soft Goods Kit ONLY:
 Packing
 Gasket
 Seat
 O-Rings

TOP WORKS

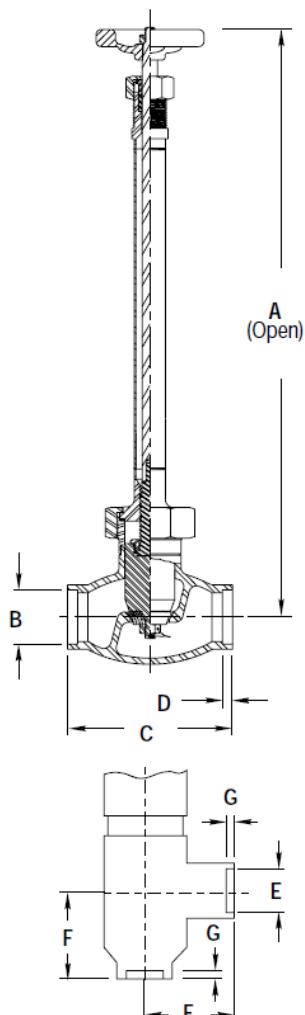
M - Manual
 A - Automatic Valve without Actuator
 B - Automatic Valve with AutoSeal
 E - Automatic Valve with AutoSeal and Control Tip - EQ%
 L - Automatic Valve with AutoSeal and Control Tip - Linear

PACKING

1 - Teflon®
 6 - Graphite



DIMENSIONS



GLOBE PATTERN

	IPS Size	Assembly Part No.	A	B	C	D	C _v	WTS. (Lbs.)
Union	1/4"	EC4-082-CWPG	14.5	.55	3.06	.25	2.5	2
Bonnet	1/2"	EC4-084-CWPG	14.5	.85	2.53	.25	5.9	5
(As Shown)	3/4"	EC4-086-CWPG	14.0	1.06	3.52	.25	8.0	7
	1"	EC4-088-CWPG	15.0	1.32	4.00	.25	14.0	10
Flanged	1-1/2"	EC4-812-CWPG	18.12	1.90	4.25	.25	34	18
Bonnet	2"	EC4-816-CWPG	21.25	2.38	5.00	.25	50	24
(Not Shown)								

ANGLE PATTERN

	IPS Size	Assembly Part No.	A	B	C	D	C _v	WTS. (Lbs.)
Union	1/4"	EC4-082-CWPG	11.12	.55	1.50	.25	3.4	2
Bonnet	1/2"	EC4-084-CWPG	11.12	.85	1.50	.15	8.0	5
(As Shown)	3/4"	EC4-086-CWPG	12.25	1.06	1.50	.25	10.0	7
	1"	EC4-088-CWPG	13.50	1.32	1.87	.25	17.0	10
Flanged	1-1/2"	EC4-812-CWPG	17.0	1.91	2.12	.25	41	17
Bonnet	2"	EC4-816-CWPG	19.5	2.38	2.50	.25	60	23
(Not Shown)								

Available from factory are tube configurations, OS & Y topworks and a complete line of automatic valves with pneumatic actuators. Consult factory for part numbers and dimensions.