



VACUUM SEAL-OFF VALVES AND VALVE OPERATORS

SV9 SERIES

RELIEVING WITH RETAINED PLUG



APPLICATIONS

- High Vacuum Tanks
- High Vacuum Dewars
- Low Pressure Gas Systems
- Vacuum Insulated Cryogenic Piping Systems
- Cold Box Vacuum Systems
- Infrared Optical Devices

TESTING

Testing:

Seat Leakage Mass spec. less than 1x10 scc GHe/sec (Exclusive of O-Ring Permeability) at Ambient Temp.



FEATURES

- Vacuum Tight Seal
- Tamper Resistant
- Easy Access to Vacuum
- Functional & Reliable
- Full Flow Design
- Low Profile & Compact Design



TECHNICAL DATA

Operating Ranges:

Temperature..... -20° F to +150° F
 -29° C to +66° C

Relief Pressure..... 3 to 9 PSIG

Materials of Construction:

Body..... 300 Series S/S or 6061 Aluminum
 O-Ring..... Vitron®
 Plug..... 300 Series S/S
 Cap..... Plastic PVC
 Retainer 300 Series S/S

Connection:

Valve..... Butt Weld
 Operator..... ISO Flange or Tube

Valve Sizes:

1/4" to 1"



4430 East Adamo Drive, Suite 305
 Tampa, FL 33605



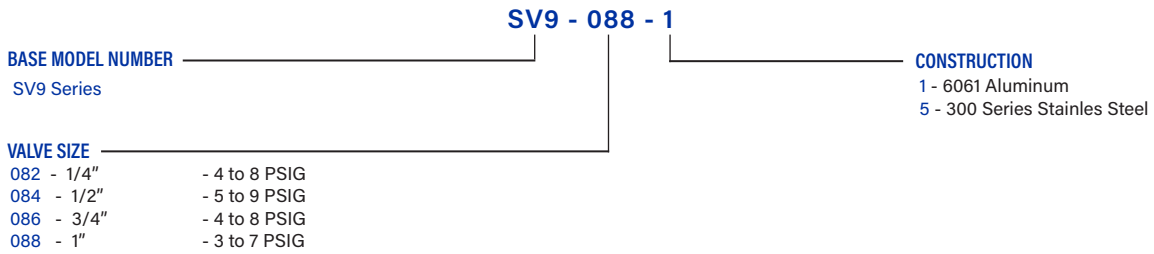
Tel: +813.644.3764



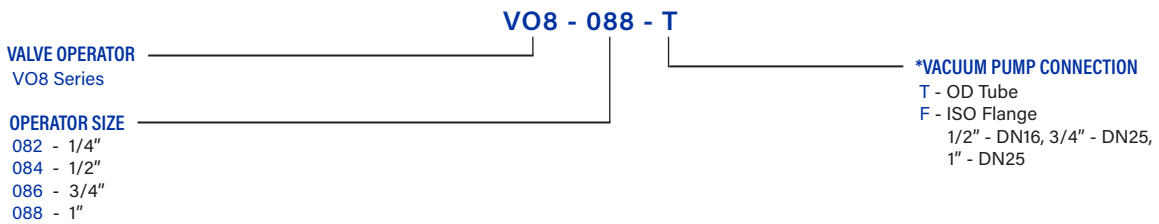
Email: sales@cp-cryolab.com
 Web: www.cpc-cryolab.com

SV9 SERIES RELIEVING WITH RETAINED PLUG

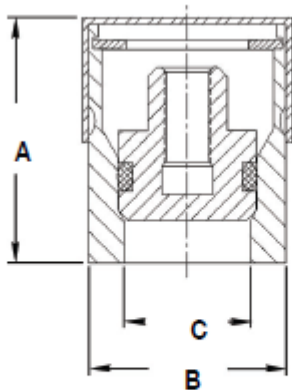
ORDERING GUIDE



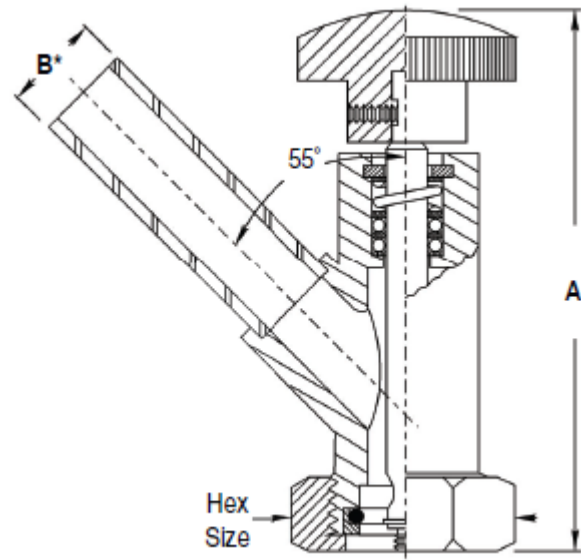
Valve Operators used in conjunction with valves during pumping operation:



DIMENSIONS



1/4" & 1/2" sizes contain only one O-ring as shown above.
3/4" & 1" sizes contain two O-rings.



SV8 SERIES VALVES DIMENSIONS

Part No.	A	B	C
SV9-082-	.59	.38	.19
SV9-084-	.76	.62	.40
SV9-086-	.96	.88	.65
SV9-088-	1.13	1.19	.84

VO8 SERIES OPERATORS STAINLESS STEEL DIMENSIONS

Part No.	A	B	Size
VO8-082-	3.2	.375	3/4"
VO8-084-	3.5	.625	1-3/16"
VO8-086-	5.0	.875	1-1/2"
VO8-088-	5.0	1.12	1-3/4"

*Optional ISO Flange