

VACUUM SEAL-OFF VALVES AND VALVE OPERATORS

SV7 SERIES

2 TO 6 PSIG



Valve Size:

1" to 3"



APPLICATIONS

- High Vacuum Tanks
- High Vacuum Dewars
- Low Pressure Gas Systems
- Vacuum Insulated Cryogenic Piping Systems
- Cold Box Vacuum Systems



FEATURES

- Vacuum Tight Seal-off
- Easy Access to Vacuum
- High Capacity Flow
- Low Profile

Testing:

Seat Leakage Mass spec. less than
1x10⁻⁹sc_c GHe/sec
(Exclusive of O-ring
Permeability) at Ambient
Temp.



OPERATING RANGES

Temperature..... -20° F to +150° F
(-29°C to +66°C)
Relief Pressure 2 to 6 PSIG



TECHNICAL DATA

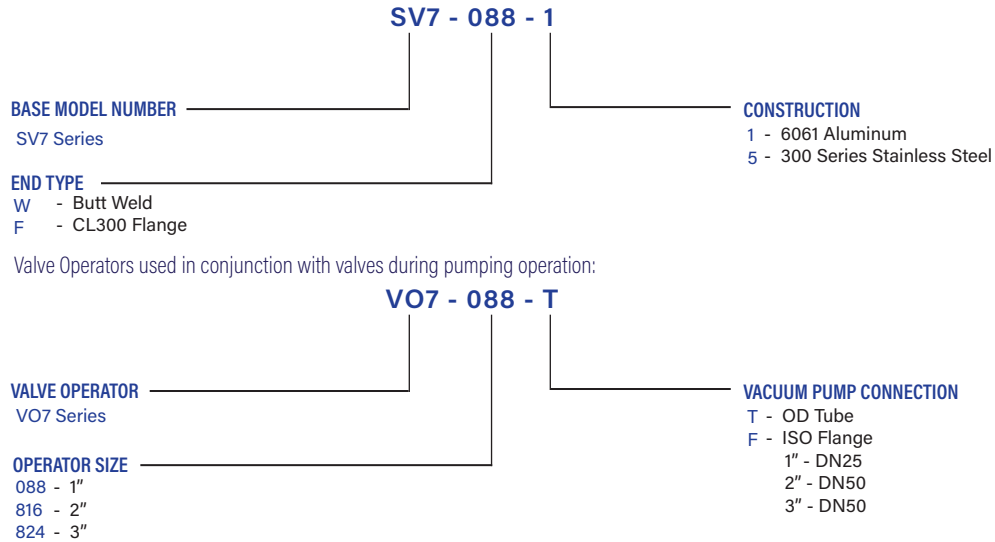
Materials of Construction:

Body 300 Series S/S or
6061 Aluminium
Spring 300 Series S/S
Retainer 300 Series S/S
O-ring Viton®
Cap Plastic PVC
Poppet 300 Series S/S

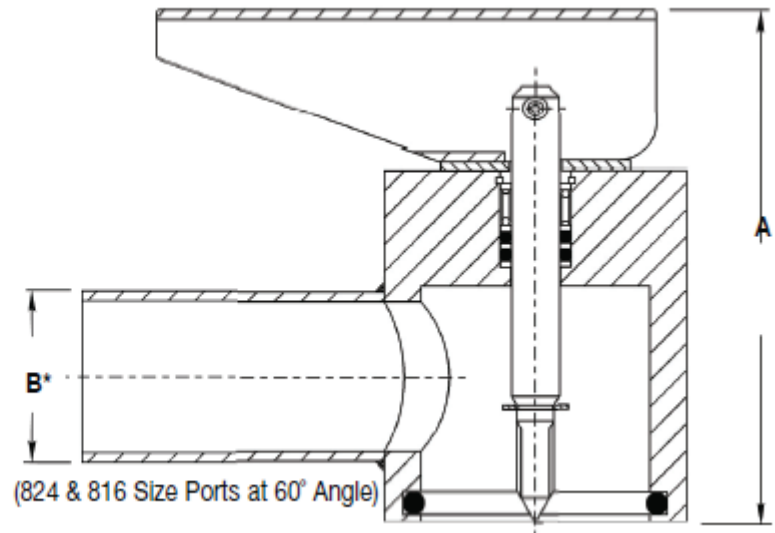
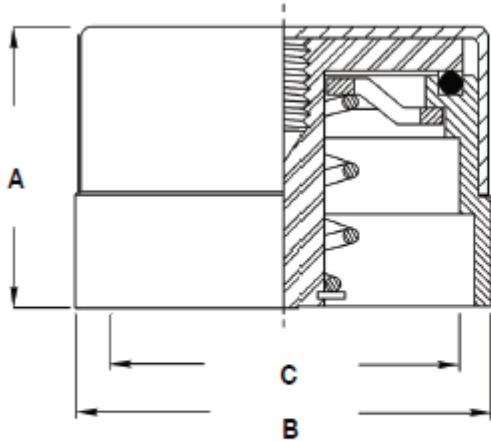
Connection:

Valve Butt Weld
Operator ISO Flange or Tube

ORDERING GUIDE



DIMENSIONS



SV7 SERIES VALVES DIMENSIONS

Part No.	A	B	C
SV7-088-	1.13	1.63	1.13
SV7-816-	2.25	2.50	1.80
SV7-824-	3.12	3.12	2.75

VO7 SERIES OPERATORS STAINLESS STEEL DIMENSIONS

Part No.	A	B
VO7-088-	3.38	1.13
VO7-816-	5.00	2.25
VO7-824-	6.00	3.00