

CRYOGENIC VACUUM JACKETED SHUT-OFF VALVES

CV3 SERIES

0 to 275 PSIG



Valve Size:

1/2"



APPLICATIONS

- Cryogenic Storage Tanks
- Cryogenic Transportation Trailers
- Cryogenic Vacuum Jacketed Transfer Systems (Point of Use Shut-Off)



FEATURES

- Vacuum Jacketed (Insulated with Four Layers of Radiation Shielding)
- Bubble Tight Shut-Off
- Redundant Packing Seals
- Compact Size
- High Efficiency
- Self Centering Plug
- Low Initial Cost
- Easy In-line Maintenance
- Butt Weld Ends

Testing:

External Leakage	Mass spec. to 1x10 ⁻⁹ scc GHe/sec
Seat Leakage	Bubble Tight to 150 PSIG
Proof Pressure	300 PSIG



OPTIONS

- Cold Box Cuff
- Ported Bonnet (Overseat Purge)
- Pneumatic and Electric Actuators
- Positioners & Position Indicators
- Limit Switches
- Non-Jacketed



OPERATING RANGES

Temperature.....	-452° F to +300° F (-269°C to +149°C)
Heat Leak	4.5 BTU/Hr to 20°K (1.3 watts)
Max. Operating Pressure	400 PSIG



TECHNICAL DATA

All Major Structural Components are 300 Series Stainless Steel

Materials of Construction:

Bonnet	Brass/Nickel Plated
Seat	Kel-F
Packing & Seals	Teflon®
Gasket	Glass Filled Teflon®

ORDERING GUIDE

CV3 - 084 - C WPG 1 M - NJ

BASE MODEL NUMBER
CV3 Series

VALVE SIZE
083 - 3/8"
084 - 1/2"
086 - 3/4"

CLEANING
O - Oxygen (per 216-2 specification)
C - Standard

CONFIGURATION
WPG - Weld Pipe, Globe
WTG - Weld Tube, Globe
WPR - Weld Pipe, 90° Angle Pattern
WTR - Weld Tube, 90° Angle Pattern
WPY - Weld Pipe, 45° "Y" Pattern
WTY - Weld Tube, 45° "Y" Pattern

SPECIAL ADD ON

CB - Cold Box Cuff
NJ - Non-Jacketed
TW - Complete Top Works Kit
SG - Soft Goods Kit

TOP WORKS

M - Manual
A - Automatic Valve - specify Actuator
B - Automatic Valve w/ AutoSeal Actuator
E - Automatic Valve w/ Control Tip - EQ% specify Actuator
L - Automatic Valve w/ Control Tip - Linear, specify Actuator
H - Automatic Valve w/ Hyperbolic Tip - specify Actuator

PACKING

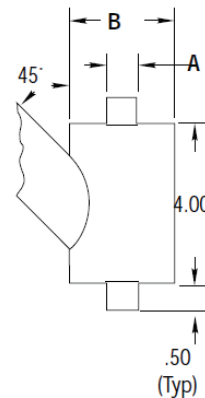
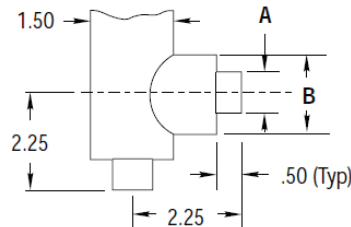
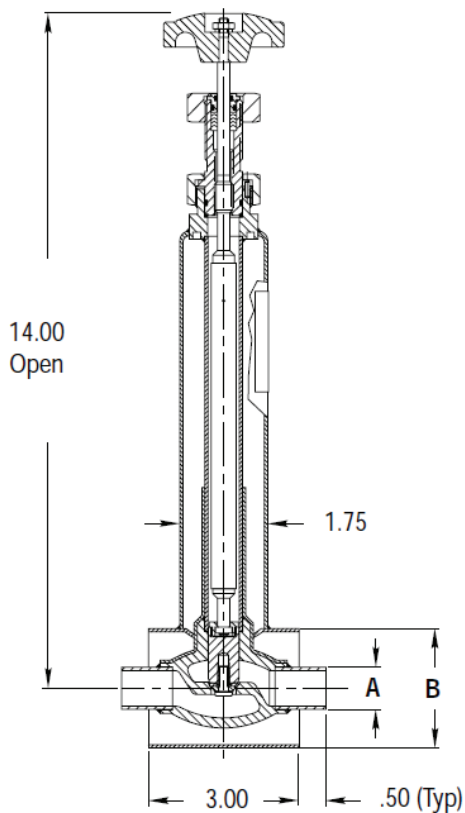
1 - Teflon®

SOFT GOODS KIT includes:

Packing
Gaskets
Seat
Hermetic Seals



DIMENSIONS & PERFORMANCE DATA



Assembly Part Number	A*			B	Flow C _v	Heat Leak (watts)
	083	084	086			
Globe	.68	.84	1.05	2.38	5.9	1.3
Angle	.68	.84	1.05	1.50	6.8	1.3
"Y"	.68	.84	1.05	2.38	6.2	1.3

* Adapters available for tube sizes

Valve supplied with quick opening plug unless otherwise specified.