

**VACUUM SEAL-OFF VALVES
AND VALVE OPERATORS**

SV8 SERIES

3 - 9 PSIG RELIEF



APPLICATIONS

- High Vacuum Tanks
- High Vacuum Dewars
- Low Pressure Gas Systems
- Vacuum Insulated Cryogenic Piping Systems
- Cold Box Vacuum Systems
- Infrared Optical Devices

TESTING

Testing:

Seat Leakage Mass spec. less than 1x10 scc GHe/sec (Exclusive of O-Ring Permeability) at Ambient Temp.



FEATURES

- Vacuum Tight Seal
- Tamper Resistant
- Easy Access to Vacuum
- Functional & Reliable
- Full Flow Design
- Low Profile & Compact Design
- Non-Relieving Option



TECHNICAL DATA

Operating Ranges:

Temperature..... -20° F to +150° F
-29° C to +66° C
Relief Pressure..... 3 to 9 PSIG

Materials of Construction:

Body..... 300 Series S/S or 6061 Aluminum
O-Ring..... Vitron®
Plug..... 300 Series S/S
Cap..... Plastic PVC

Connection:

Valve..... Butt Weld
Operator..... ISO Flange or Tube

Valve Sizes:

1/4" to 1"



SV8 SERIES 3 to 9 PSIG RELIEF

ORDERING GUIDE

SV8 - 088 - 1 - NR

BASE MODEL NUMBER

SV8 Series

VALVE SIZE

082 - 1/4" (NR Only)
 084 - 1/2"
 086 - 3/4"
 088 - 1"

RELIEF SPECIFICATION

NR - Non-Relieving
 1/4"
 (blank) - Relieving:
 1/2" 5 to 9 PSIG
 3/4" 4 to 8 PSIG
 1" 3 to 7 PSIG

CONSTRUCTION

1 - 6061 Aluminum
 5 - 300 Series Stainless Steel

Valve Operators used in conjunction with valves during pumping operation:

VO8 - 088 - T

VALVE OPERATOR

VO8 Series

OPERATOR SIZE

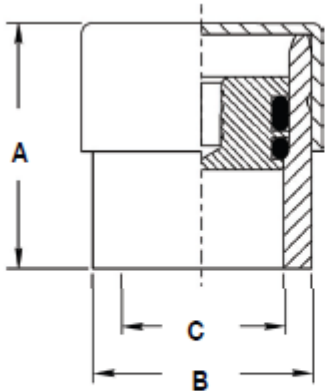
082 - 1/4"
 084 - 1/2"
 086 - 3/4"
 088 - 1"

***VACUUM PUMP CONNECTION**

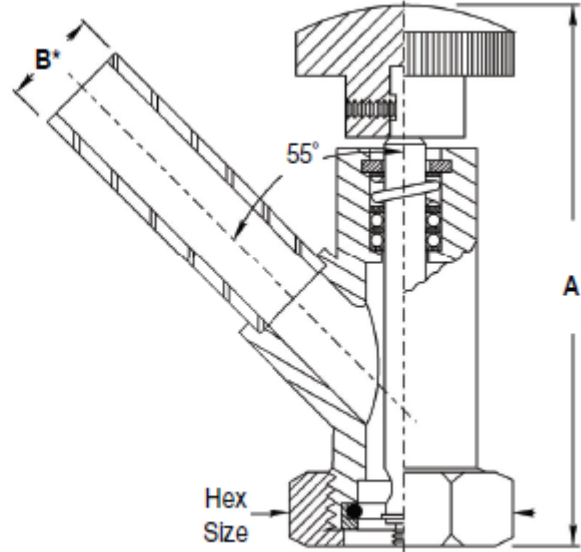
T - OD Tube
 F - ISO Flange
 1/2" - DN16, 3/4" - DN25,
 1" - DN25



DIMENSIONS



3/4" & 1" sizes contain two O-rings as shown above.
 1/4" & 1/2" sizes contain only one O-ring.



SV8 SERIES VALVES DIMENSIONS

Part No.	A	B	C
SV8-082-	.59	.38	.28
SV8-084-	.81	.62	.46
SV8-086-	.96	.88	.69
SV8-088-	1.50	1.19	.90

VO8 SERIES OPERATORS STAINLESS STEEL DIMENSIONS

Part No.	A	B	Size
VO8-082-	3.2	.375	3/4"
VO8-084-	3.5	.625	1-3/16"
VO8-086-	5.0	.875	1-1/2"
VO8-088-	5.0	1.12	1-3/4"

*Optional ISO Flange