

SV8 SERIES

3 - 9 PSIG RELIEF



VACUUM SEAL-OFF VALVES AND VALVE OPERATORS

Features

- Vacuum Tight Seal
- Tamper Resistant
- Easy Access to Vacuum
- Functional & Reliable
- Full Flow Design
- Low Profile & Compact Design
- Non-Relieving Option

Applications

- High Vacuum Tanks
- High Vacuum Dewars
- Low Pressure Gas Systems
- Vacuum Insulated Cryogenic Piping Systems
- Cold Box Vacuum Systems
- Infrared Optical Devices

Technical Data

Operating Ranges

Temperature-20°F to +150°F;
-29°C to +66°C

Relief Pressure3 to 9 PSIG

Materials of Construction

Body300 Series S/S or
6061 Aluminum

O-RingsViton®

Plug300 Series S/S

CapPlastic PVC

Tests

Seat LeakageMass spec. less than
1x10⁻⁹ scc GHe/sec
(Exclusive of O-ring
Permeability) at
Ambient Temp.

Connection

ValveButt Weld

OperatorISO Flange or Tube

Valve Size

1/4" to 1"



SV8 SERIES

3 to 9 PSIG RELIEF

How To Order

SV8 - 088 - 1 - NR

BASIC MODEL NUMBER

SV8 Series

VALVE SIZE

- 082 - 1/4" (NR Only)
- 084 - 1/2"
- 086 - 3/4"
- 088 - 1"

CONSTRUCTION

- 1 - 6061 Aluminum
- 5 - 300 Series Stainless Steel

RELIEF SPECIFICATION

- NR - Non-Relieving
1/4"
- (blank) - Relieving:
1/2" 5 to 9 PSIG
3/4" 4 to 8 PSIG
1" 3 to 7 PSIG

Valve Operators used in conjunction with valves during pumping operation:

VO8 - 088 T

VALVE OPERATOR

VO8 Series

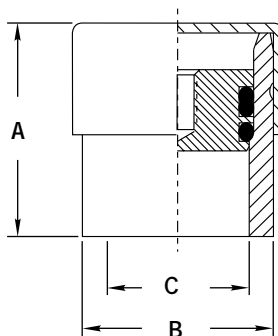
OPERATOR SIZE

- 082 - 1/4"
- 084 - 1/2"
- 086 - 3/4"
- 088 - 1"

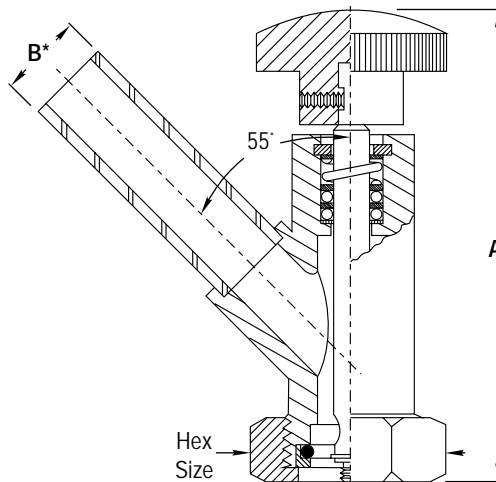
*VACUUM PUMP CONNECTION

- T - OD Tube
- F - ISO Flange
1/2" = DN16, 3/4" = DN25,
1" = DN25

Dimensions



3/4" & 1" sizes contain two O-rings as shown above.
1/4" & 1/2" sizes contain only one O-ring.



SV8 SERIES VALVE DIMENSIONS

Part No.	A	B	C
SV8-082-	.59	.38	.28
SV8-084-	.81	.62	.46
SV8-086-	.96	.88	.69
SV8-088-	1.50	1.19	.90

VO8 SERIES OPERATORS STAINLESS STEEL DIMENSIONS

Part No.	A	B*	Size
VO8-082-	3.2	.375	3/4"
VO8-084-	3.5	.625	1-3/16"
VO8-086-	5.0	.875	1-1/2"
VO8-088-	5.0	1.12	1-3/4"

*Optional ISO Flange